



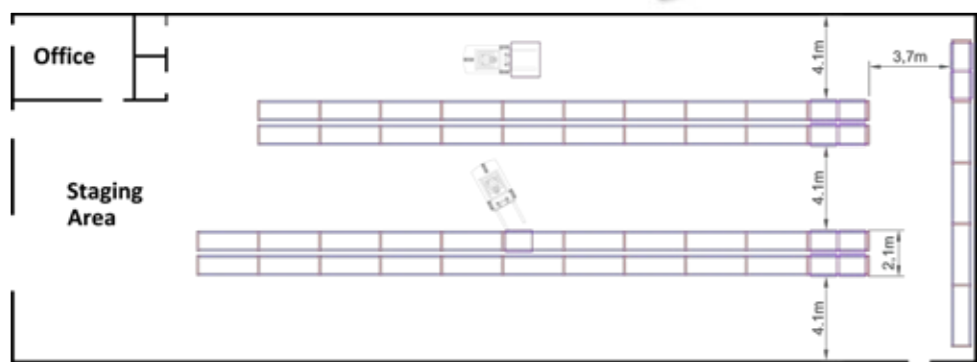
Steering Column    Over Head Guard    Ease of Access    Ease of Access

SALES | SUPPORT | RENTAL

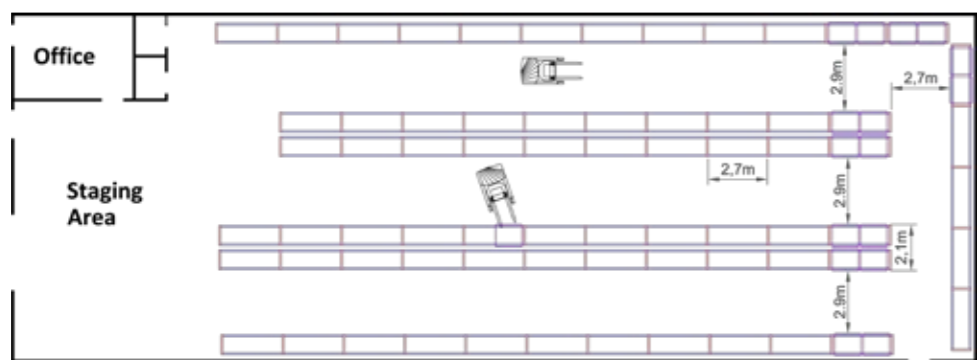
**AISLE-MASTER**



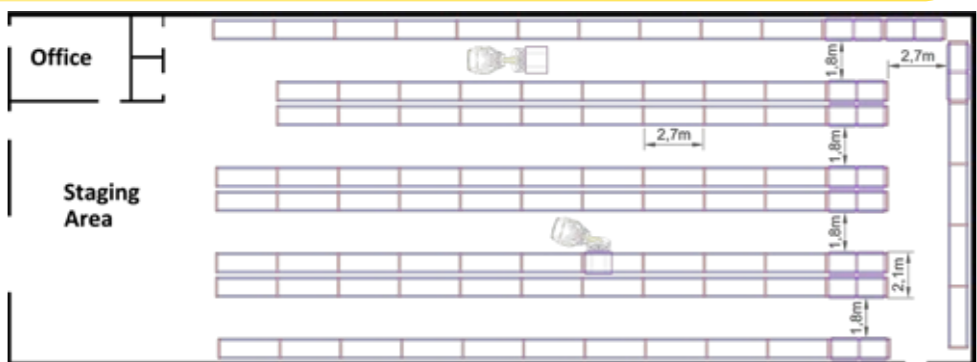
**BEFORE: COUNTER BALANCE**  
Existing Layout



**BEFORE: REACH TRUCK**  
Existing Layout



**AFTER: AISLE-MASTER LAYOUT**  
Counter Balance : 31% MORE  
Reach Truck: 100% MORE



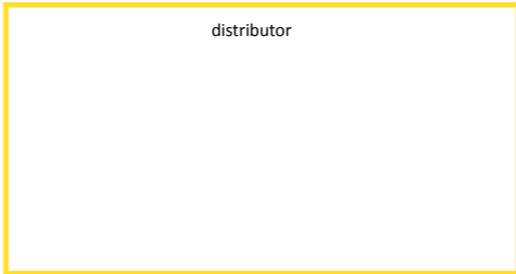
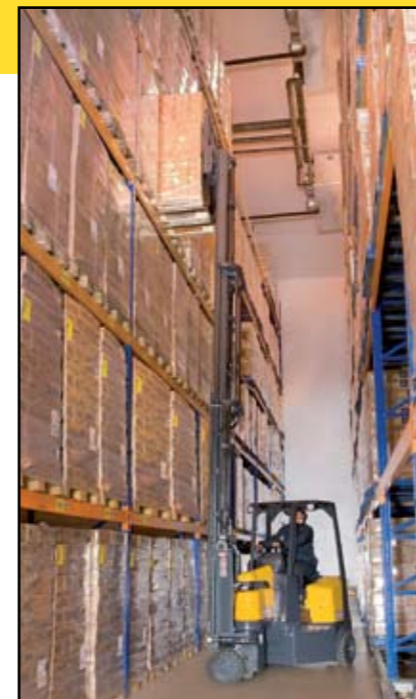
Stack to the left



Straight a head



Stack to the Right



Aisle-Master Ltd.  
Gallinagh, Co. Monaghan  
Ireland

Tel: +353 47 80400 | Fax: +353 47 80402  
UK: 07725 642 472 | USA:  
Australia: 1300 552 422  
E-Mail: info@aisle-master.com  
website: www.aisle-master.com

Increasing Storage-Reducing Costs



**REDUCE AISLE WIDTHS**

**INCREASE STORAGE SPACE**

**CUT WAREHOUSING COSTS**

**IMPROVE PRODUCTIVITY**

LPG | AC ELECTRIC

[www.Aisle-Master.com](http://www.Aisle-Master.com)

LPG | AC ELECTRIC

[www.Aisle-Master.com](http://www.Aisle-Master.com)



# AISLE-MASTER... THE VERSATILE ARTICULATED TRUCK THAT DOES IT ALL



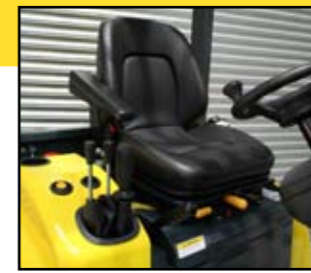
Battery Removal



Pedal- Footguard



Drinks Holder



Cab

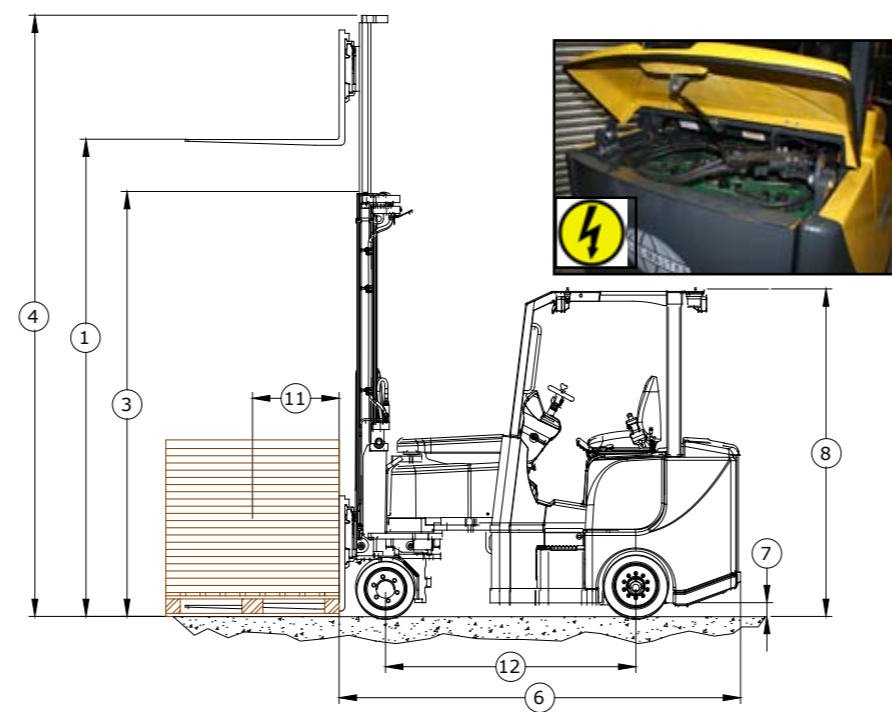


## Features & Benefits:

- Large super elastic tyres
- Robust chassis construction
- Intergal side shift fitted as standard
- Two motors only. Traction & hydraulic
- Low maintenance
- Indoor & out
- Operator comfort and safety integral part of the machine
- Ergonomically designed to reduce fatigue to maximise visibility
- Full view of both the forks and the load
- Reduced load cycle times and product damage

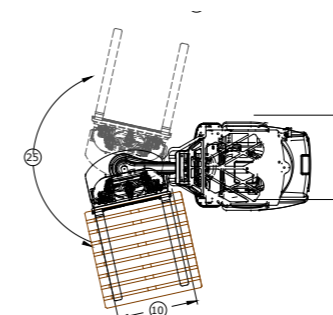
REF.	MODEL	Metric			Imperial		
		15E	20SE	20WHE	33E	44SE	44WHE
	Description	Electric			Electric		
1	Lift Height	4750 mm	4750 mm	7050 mm	187"	187"	278"
2	Free Lift	1536 mm	1536 mm	2436 mm	61"	61"	96"
3	Closed Height	2398 mm	2398 mm	3298 mm	94"	94"	130"
4	Extended Height	5613 mm	5613 mm	7913 mm	221"	221"	312"
5	Mast Range	4300 - 6650 mm	4300 - 9050mm	7050 - 12400 mm	169"-262"	169"-356"	278"-488"
6	Overall Length	2780 mm	2780 mm	2780 mm	109"	109"	104 1/2"
7	Ground Clearance		50 mm			2"	
8	Overhead Guard height		2270 mm			89.5"	
9	Chassis Width Rear	1030 mm	1220 mm	1400 mm	40 1/2"	48"	55"
10	Chassis Width Front		980 mm			39"	
11	Load Centre		500 mm			20"	
12	Wheel Base		1735 mm			68"	
13	Seat Height		1220 mm			48"	
14	Mast Tilt (back/fwd)		3° / 1°			3° / 1°	
15	Capacity	1500 kg	2000 kg	2000 kg	3300lbs	4400lbs	4400lbs
16	Ground Speed		11 Km/h			6.9 Mph	
17	Lift Speed (Laden/Unladen)		0.4 / 0.5 m/s			1.3 / 1.6 ft/s	
18	Front Tyre SIZE		412 x 174 mm			16 1/4" x 7"	
19	Rear Tyre size		457 x 150 mm			18" x 6"	
20	Gradeability (Laden/unladen)		8.5 / 11%			8.5 / 11%	
21	Battery Voltage/Capacity	48v / 620Ah	48v / 775 / 930 Ah	48v / 620Ah	48/775/930 Ah		
23	Weight of Truck less battery	5150 kg	5310 kg	5310 kg	11,350lbs	11,700lbs	11,700lbs
24	Weight of truck including the battery	6400 kg	6900 kg	6900 kg	14,100 lbs	15,210 lbs	15,210 lbs
25	Articulation Angle		205			205	
26	Standard Colour		Yellow/Grey			Yellow/Grey	
27	Seat		KAB			KAB	

OPTIONAL LIFT HEIGHTS AVAILABLE



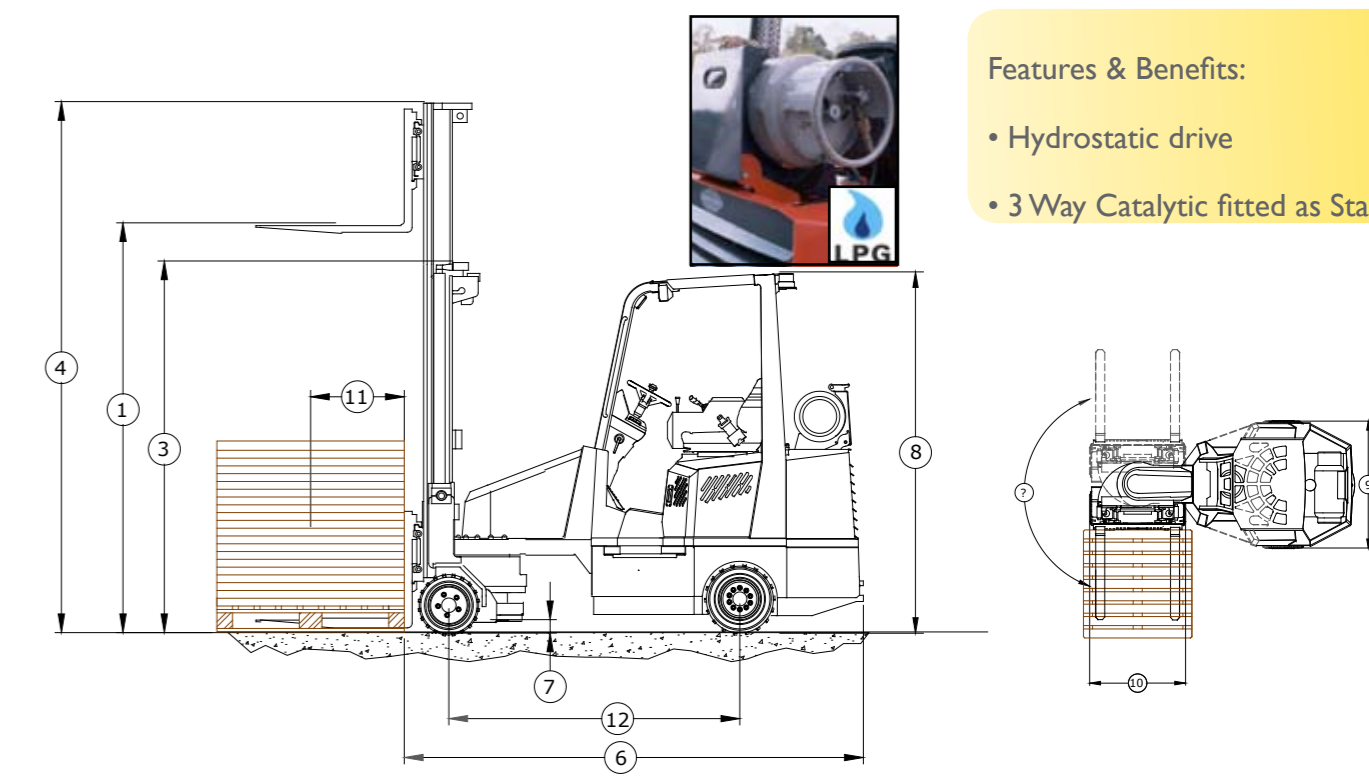
## Features:

- AC Traction motor (20KW)
- 775 Amp and 930 Amp hour capacity batteries



REF.	MODEL	Metric		Imperial	
		20S	20WH	44SE	44WH
	Description	LP Gas		Electric	
1	Lift Height	4750 mm	7050 mm	187"	187"
2	Free Lift	1536 mm	2436 mm	61"	60"
3	Closed Height	2398 mm	3298mm	94"	95"
4	Extended Height	5613 mm	7913 mm	221"	220"
5	Mast Range	4300 - 9050mm	7050mm - 12400mm	169"-262"	169"-354"
6	Overall Length	2825 mm	2825 mm	111"	111"
7	Ground Clearance		75 mm		3"
8	Overhead Guard height		2311 mm		91"
9	Chassis Width Rear	1350 mm	1500 mm	53"	59"
10	Chassis Width Front		1095 mm		43"
11	Load Centre		600 mm		24"
12	Wheel Base		1890 mm		74"
13	Seat Height		1220 mm		48"
14	Mast Tilt (back/fwd)		4° / 1°		4° / 1°
15	Capacity	2000 kg	2000 kg	4400lbs	4400lbs
16	Ground Speed		11 Km/h		8 Mph
17	Lift Speed (Laden/Unladen)		0.4 / 0.5 m/s		1.3 / 1.6 ft/s
18	Front Tyre SIZE		406 x 178 mm		16" x 7"
19	Rear Tyre size		450 x 200 mm		18" x 8"
20	Gradeability (Laden/unladen)		15%		15%
21	Capacity	GM Water cooled Engine		GM Water cooled Engine	
23	Weight of truck including the battery	6400 kg	7000 kg	14,00lbs	15500 lbs
24	Articulation Angle		180		180
24	Standard Colour		Yellow/Grey		Yellow/Grey
25	Seat		KAB		KAB

OPTIONAL LIFT HEIGHTS AVAILABLE



## Features & Benefits:

- Hydrostatic drive
- 3 Way Catalytic fitted as Standard

Parts Warranty- 5 Years or 5,000 Hours\*

\* Excludes tyres, forks & worklights

AC Electric

LP GAS